

VISUAL RFID ALUMINIUM

Electronic Hotel Lock

Be-Tech VISUAL RFID Door Lock series is the latest electronic locks that use simple, fashionable and comfortable design.

Be-Tech VISUAL RFID Door Lock series is especially designed for the modern and boutique hotels with the desire of make sure the lock perfectly blends into fashionable hotels' environment."The sparkling bright spot, not just the looks". With the combination of Be-Tech VISUAL Aluminium RFID series and All-Black finish, it allows architects and designers to maximize a hotel's fashion sense and to enhance the users' experience to a new level.

Features:

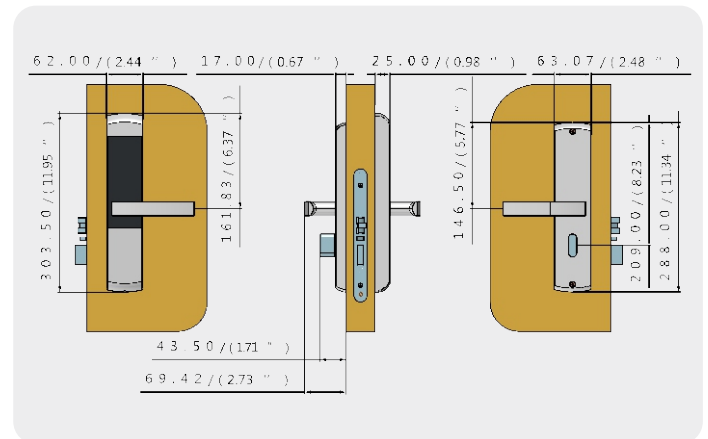
- The RFID Door Lock is specially designed as a stand alone electronic lock with RFID technology.
- The blue LED indicator on the outside escutcheon looks like saying "Hello" to hotel guests.
- Operates with a completely sealed contactless module.
- High security stainless steel mortise lockcase available in ANSI, AUS and EURO versions.
- Mortise approved by CE and ANSI/BHMA.
- 3-point stainless steel latch construction with antifriction mechanism.
- Mortise equipped 20mm throw high strength deadbolt.
- Panic release function: The deadbolt and latch can be automatically retracted by inside handle for easy regress in emergency.
- ADA compliant (guest with physical disabilities).
- Future proof re-programmable FLASH RAM lock memory.
- The RFID Door Lock is powered by 4AA batteries that provide up to 1 year normal life time.
- 414 event audit trail.
- Compatible with BIS HOTEL software platform.
- High security mechanical override cylinder available.



RFID Specifications:

- 13.56MHz technology
- Compatible with the following standard : ISO 14443 A (MIFARE Classic)
- 11 free sectors for future All-in-one card application use

Dimensions:



VISUAL Aluminium RFID series is not suitable for outdoor.

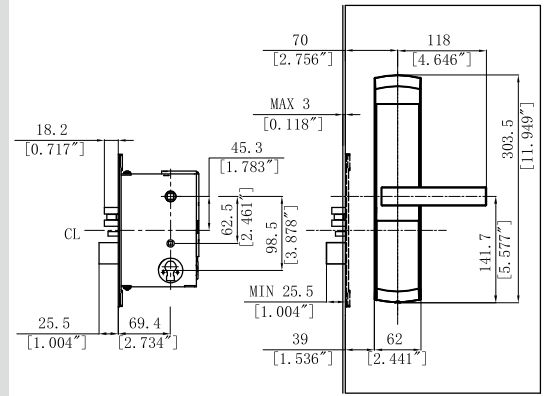


Your Hospitality Partner
Leading Keyless Solutions Since 1992

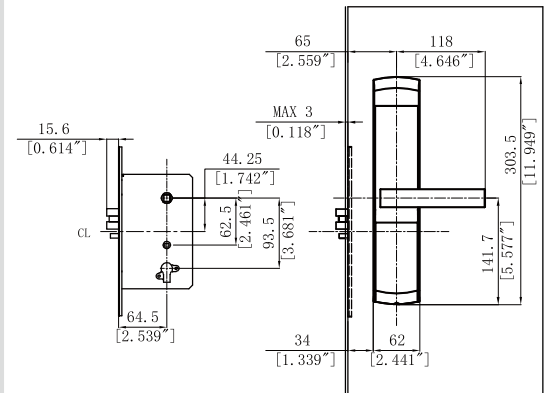
Technical Data:

Power	4 x 1.5V AA alkaline batteries
Battery Location	Inside of the front lock
Material	Handles: SUS 304Stainless Steel Lock body: Aluminium Alloy
Metal Finishes	Matte Black
Emergency Opening Options	Emergency Opening with Mechanical cylinder
Locking Mechanism	Electro-mechanical locking mechanism
Door Thickness	35-80mm (only for EURO mortise)
System Software Compatibility	BIS Hotel
Storage Temperature	Workable -20°C~80°C: non-condensing environment
Tested Operating Temperature	Tested from -25°C~70°C
Supported RFID Standard	ISO 14443 A (MIFARE Classic)

ANSI Lockcase



AUS Lockcase



Lockcase Dimensions:

ANSI Lock Case Variants	ANSI DB
ANSI Lock Case Widths	28mm / 1.10 inches 31.5mm / 1.24 inches
ANSI Backset	70mm / 2.76 inches
EURO Lock Case Variants	EURO DB, available in: Australia version(AUS)
EURO Lock Case Widths	22mm / 0.87 inches
EURO Backsets	65mm / 2.56 inches

EURO Lockcase

