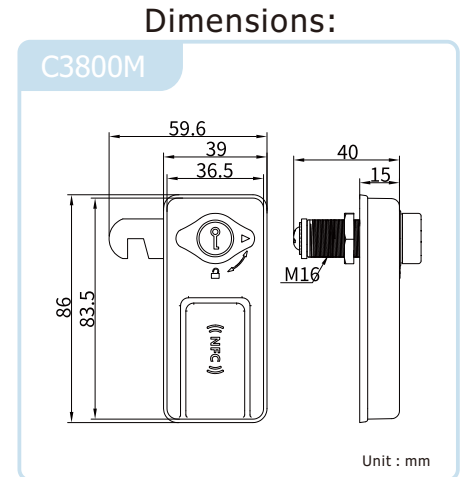


C38 locker lock adopts Near Field Communication(NFC) technology with smart phone app—Cloud locker to achieve a new experience of unlocking without batteries installed. By using the Cloud locker app, it is easy and swift to program and could be widely used in various scenarios.

Technical Specification

Material:	ABS+PC
IPXX Assessment:	Conform to IPX5
Emergency Cylinder:	YES
Power Source:	Mobile phone
Frequency Range :	13.56MHz
Operating Temperature:	-20~50°C
	RH(%): 20~95%
Door Category:	Wood, Steel
Door Thickness Range:	1~15mm
Dimension :	83.5H * 39W * 15D (mm)
Packing:	120 units / ctn
Net Weight:	112g / unit
Gross Weight:	120g / unit
Carton Size:	520 * 230 * 210 (mm)
Phone Type :	Android system-Any mobile phone that has NFC function IOS system- version above IOS 13.0 model above Iphone 8



Features:

Charged by smart phone

The locker lock will be charged real quick and unlocked when smart phone's NFC antenna position is touching it, instead of using batteries to supply power. Hence we can pass the concern about the battery maintaining and cost.

Cloud Locker App

All functions will be realized with Cloud Locker App without any complex setting on lock that makes easy and swift operation as just to choose function icon, which is suitable for a variety of people.

Authorization & Records

The Owner can allow other users account to unlock by simply switch the Authorization option on App or select the available times so that other users can help to unlock if the Owner is not on site. The record will be updated after unlocking as well.

Installation Guide C3800M-00:

